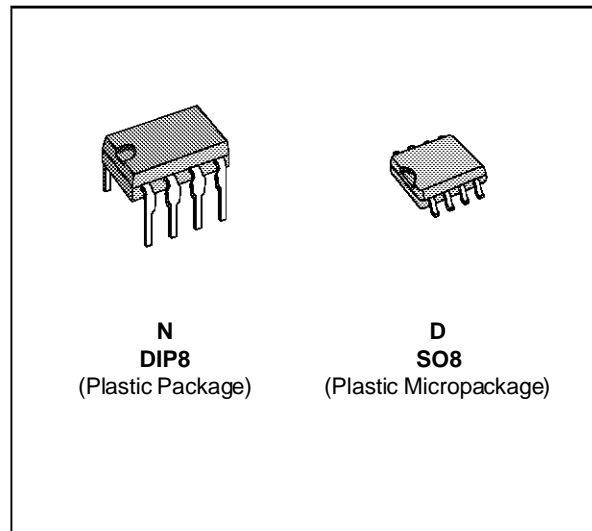


**GENERAL PURPOSE  
 SINGLE JFET OPERATIONAL AMPLIFIERS**

- LOW POWER CONSUMPTION
- WIDE COMMON-MODE (UP TO  $V_{CC}^+$ ) AND DIFFERENTIAL VOLTAGE RANGE
- LOW INPUT BIAS AND OFFSET CURRENT
- OUTPUT SHORT-CIRCUIT PROTECTION
- HIGH INPUT IMPEDANCE J-FET INPUT STAGE
- INTERNAL FREQUENCY COMPENSATION
- LATCH UP FREE OPERATION
- HIGH SLEW RATE :  $16V/\mu s$  (typ)



**DESCRIPTION**

These circuits are high speed J-FET input single operational amplifiers incorporating well matched, high voltage J-FET and bipolar transistors in a monolithic integrated circuit.

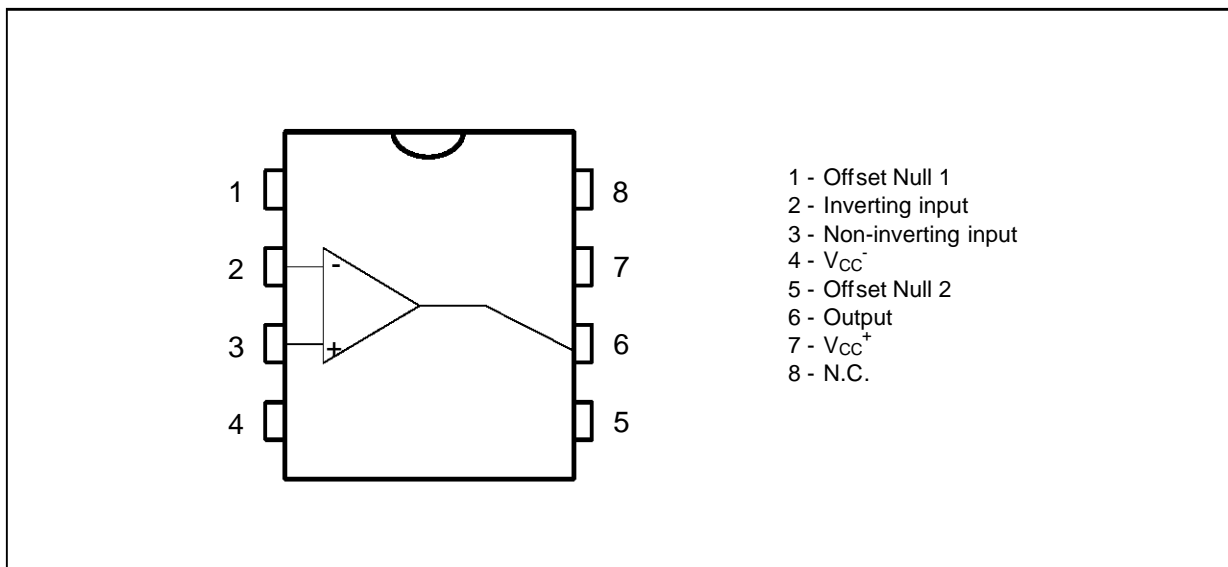
The devices feature high slew rates, low input bias and offset current, and low offset voltage temperature coefficient.

**ORDER CODES**

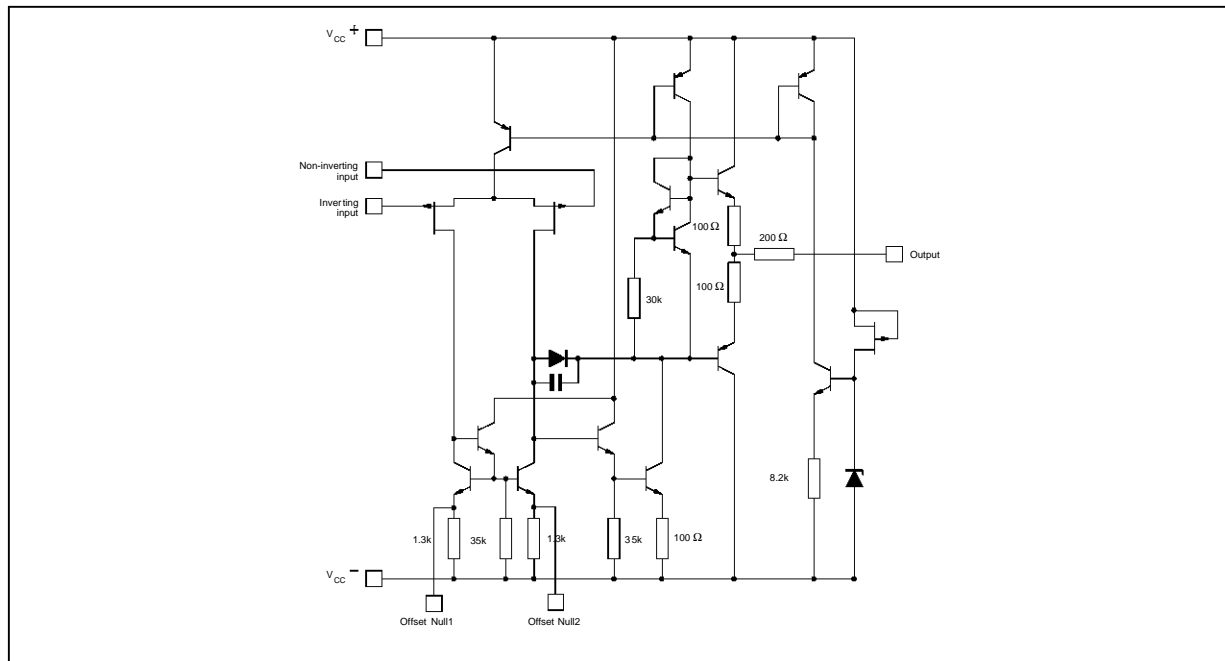
Part Number	Temperature	Package	
		N	D
MC34001/A/B	0°C, +70°C	•	•
MC33001/A/B	-40°C, +105°C	•	•
MC35001/A/B	-55°C, +125°C	•	•

33001-01-TBL

**PIN CONNECTIONS (top view)**

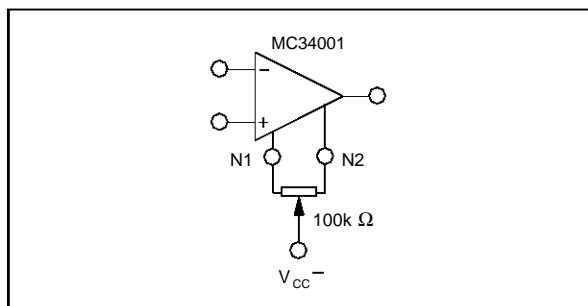


**SCHEMATIC DIAGRAM**



33001-03.EPS

**INPUT OFFSET VOLTAGE NULL CIRCUITS**



33001-04.EPS

**ABSOLUTE MAXIMUM RATINGS**

Symbol	Parameter	Value	Unit
$V_{CC}$	Supply Voltage - (note 1)	$\pm 18$	V
$V_I$	Input Voltage - (note 3)	$\pm 15$	V
$V_{id}$	Differential Input Voltage - (note 2)	$\pm 30$	V
$P_{tot}$	Power Dissipation	680	mW
	Output Short-circuit Duration (note 4)	Infinite	
$T_{oper}$	Operating Free Air Temperature Range	MC34001, A, B -40 to 105 MC33001, A, B -55 to 125	$^{\circ}C$
$T_{stg}$	Storage Temperature Range	-65 to 150	$^{\circ}C$

33001-02.TBL

- Notes :**
1. All voltage values, except differential voltage, are with respect to the zero reference level (ground) of the supply voltages where the zero reference level is the midpoint between  $V_{CC}^{+}$  and  $V_{CC}^{-}$ .
  2. Differential voltages are at the non-inverting input terminal with respect to the inverting input terminal.
  3. The magnitude of the input voltage must never exceed the magnitude of the supply voltage or 15 volts, whichever is less.
  4. The output may be shorted to ground or to either supply. Temperature and /or supply voltages must be limited to ensure that the dissipation rating is not exceeded.

**ELECTRICAL CHARACTERISTICS**

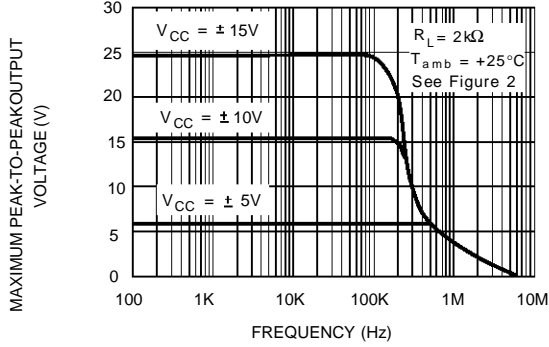
V<sub>CC</sub> = ±15V, T<sub>amb</sub> = 25°C (unless otherwise specified)

Symbol	Parameter	MC35001A,B MC33001A,B MC34001A,B			MC35001 MC33001 MC34001			Unit
		Min.	Typ.	Max.	Min.	Typ.	Max.	
V <sub>io</sub>	Input Offset Voltage (R <sub>S</sub> ≤ 10kΩ) T <sub>amb</sub> = 25°C MC35001B, MC34001B, MC33001B MC35001A, MC34001A, MC33001A T <sub>min.</sub> ≤ T <sub>amb</sub> ≤ T <sub>max.</sub> MC35001B, MC34001B, MC33001B MC35001A, MC34001A, MC33001A		3 0.4	5 2		3	10 13	mV
DV <sub>io</sub>	Input Offset Voltage Drift		10			10		μV/°C
I <sub>io</sub>	Input Offset Current * T <sub>amb</sub> = 25°C T <sub>min.</sub> ≤ T <sub>amb</sub> ≤ T <sub>max.</sub>		5	100 4		5	100 4	pA nA
I <sub>ib</sub>	Input Bias Current * T <sub>amb</sub> = 25°C T <sub>min.</sub> ≤ T <sub>amb</sub> ≤ T <sub>max.</sub>		20	200 20		20	200 20	pA nA
A <sub>vd</sub>	Large Signal Voltage Gain (R <sub>L</sub> = 2kΩ, V <sub>O</sub> = ±10V) T <sub>amb</sub> = 25°C T <sub>min.</sub> ≤ T <sub>amb</sub> ≤ T <sub>max.</sub>	50 25	200		25 15	200		V/mV
SVR	Supply Voltage Rejection Ratio (R <sub>S</sub> ≤ 10kΩ) T <sub>amb</sub> = 25°C T <sub>min.</sub> ≤ T <sub>amb</sub> ≤ T <sub>max.</sub>	80 80	86		70 70	86		dB
I <sub>CC</sub>	Supply Current, no Load T <sub>amb</sub> = 25°C T <sub>min.</sub> ≤ T <sub>amb</sub> ≤ T <sub>max.</sub>		1.4	2.5 2.8		1.4	2.5 2.8	mA
V <sub>icm</sub>	Input Common Mode Voltage Range	±11	+15 -12		±11	+15 -12		V
CMR	Common Mode Rejection Ratio (R <sub>S</sub> ≤ 10kΩ) T <sub>amb</sub> = 25°C T <sub>min.</sub> ≤ T <sub>amb</sub> ≤ T <sub>max.</sub>	80 80	86		70 70	86		dB
I <sub>os</sub>	Output Short-circuit Current T <sub>amb</sub> = 25°C T <sub>min.</sub> ≤ T <sub>amb</sub> ≤ T <sub>max.</sub>	10 10	40	60 60	10 10	40	60 60	mA
±V <sub>OPP</sub>	Output Voltage Swing T <sub>amb</sub> = 25°C R <sub>L</sub> = 2kΩ R <sub>L</sub> = 10kΩ T <sub>min.</sub> ≤ T <sub>amb</sub> ≤ T <sub>max.</sub> R <sub>L</sub> = 2kΩ R <sub>L</sub> = 10kΩ	10 12 10 12	12 13.5		10 12 10 12	12 13.5		V
SR	Slew Rate (V <sub>in</sub> = 10V, R <sub>L</sub> = 2kΩ, C <sub>L</sub> = 100pF, T <sub>amb</sub> = 25°C, unity gain)	12	16		12	16		V/μs
t <sub>r</sub>	Rise Time (V <sub>in</sub> = 20mV, R <sub>L</sub> = 2kΩ, C <sub>L</sub> = 100pF, T <sub>amb</sub> = 25°C, unity gain)		0.1			0.1		μs
K <sub>OV</sub>	Overshoot (V <sub>in</sub> = 20mV, R <sub>L</sub> = 2kΩ, C <sub>L</sub> = 100pF, T <sub>amb</sub> = 25°C, unity gain)		10			10		%
GBP	Gain Bandwidth Product (f = 100kHz, T <sub>amb</sub> = 25°C, V <sub>in</sub> = 10mV, R <sub>L</sub> = 2kΩ, C <sub>L</sub> = 100pF)	2.5	4		2.5	4		MHz
R <sub>i</sub>	Input Resistance		10 <sup>12</sup>			10 <sup>12</sup>		Ω
THD	Total Harmonic Distortion (f = 1kHz, A <sub>V</sub> = 20dB, R <sub>L</sub> = 2kΩ, C <sub>L</sub> = 100pF, T <sub>amb</sub> = 25°C, V <sub>O</sub> = 2V <sub>PP</sub> )		0.01			0.01		%
e <sub>n</sub>	Equivalent Input Noise Voltage (f = 1kHz, R <sub>S</sub> = 100Ω)		15			15		$\frac{nV}{\sqrt{Hz}}$
∅ <sub>m</sub>	Phase Margin		45			45		Degrees

\* The input bias currents are junction leakage currents which approximately double for every 10°C increase in the junction temperature.

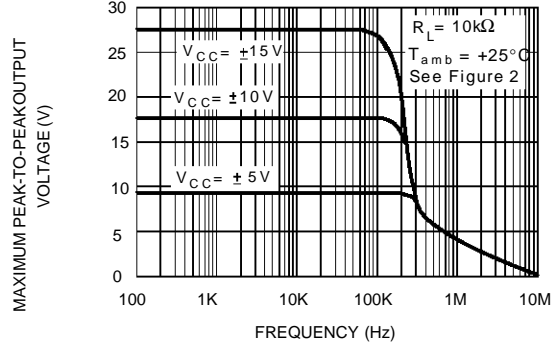
33001-03.TBL

**MAXIMUM PEAK-TO-PEAK OUTPUT VOLTAGE VERSUS FREQUENCY**



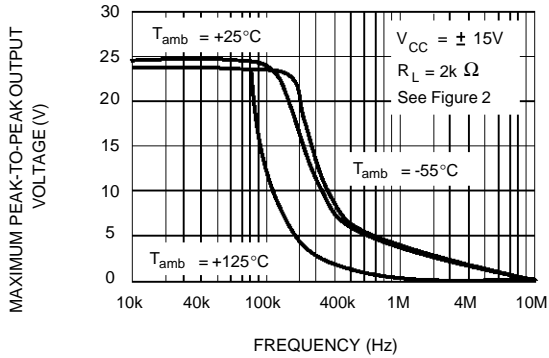
33001-05.EPS

**MAXIMUM PEAK-TO-PEAK OUTPUT VOLTAGE VERSUS FREQUENCY**



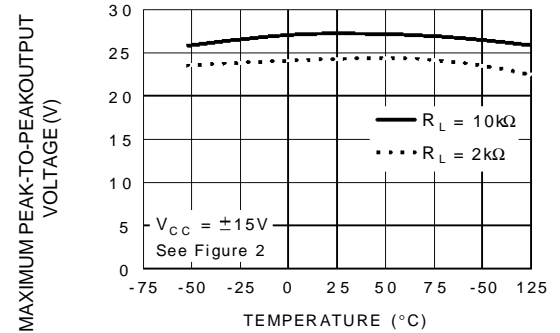
33001-06.EPS

**MAXIMUM PEAK-TO-PEAK OUTPUT VOLTAGE VERSUS FREQUENCY**



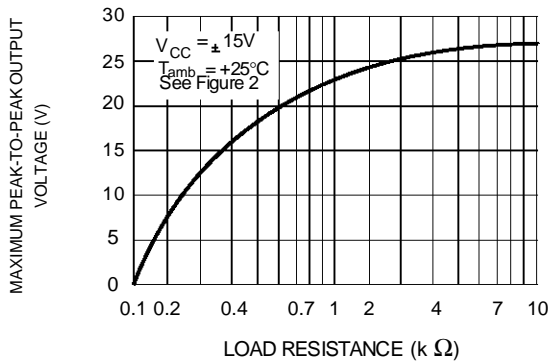
33001-07.EPS

**MAXIMUM PEAK-TO-PEAK OUTPUT VOLTAGE VERSUS FREE AIR TEMP.**



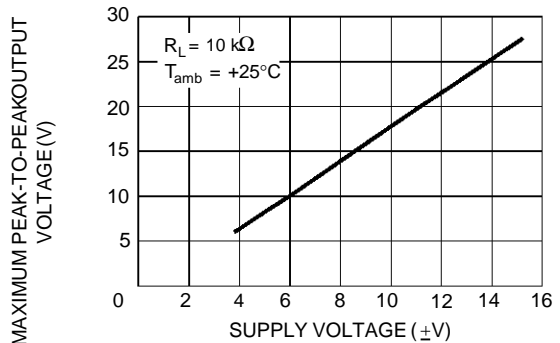
33001-08.EPS

**MAXIMUM PEAK-TO-PEAK OUTPUT VOLTAGE VERSUS LOAD RESISTANCE**



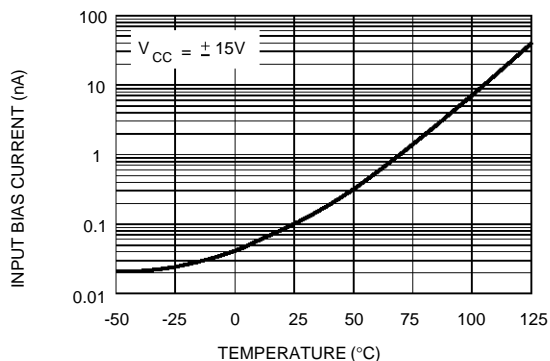
33001-09.EPS

**MAXIMUM PEAK-TO-PEAK OUTPUT VOLTAGE VERSUS SUPPLY VOLTAGE**



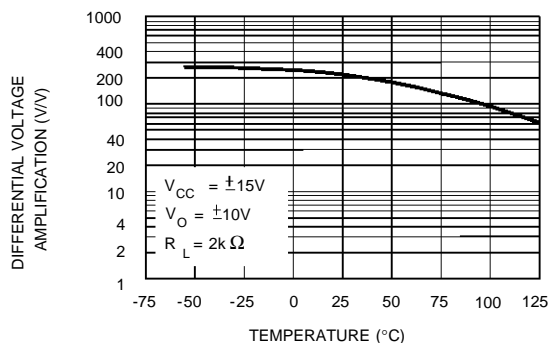
33001-10.EPS

**INPUT BIAS CURRENT VERSUS FREE AIR TEMPERATURE**



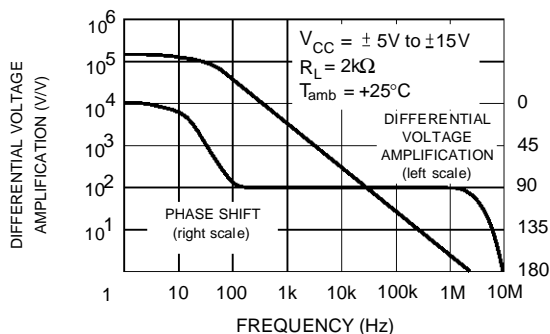
33001-11.EPS

**LARGE SIGNAL DIFFERENTIAL VOLTAGE AMPLIFICATION VERSUS FREE AIR TEMPERATURE**



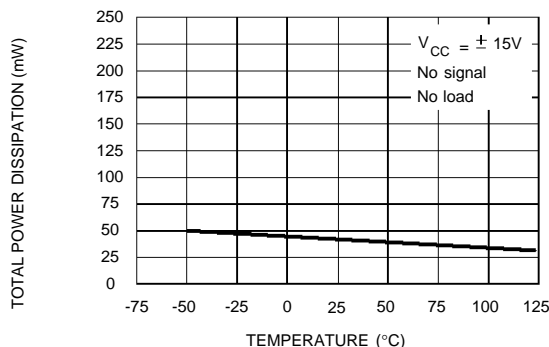
33001-12.EPS

**LARGE SIGNAL DIFFERENTIAL VOLTAGE AMPLIFICATION AND PHASE SHIFT VERSUS FREQUENCY**



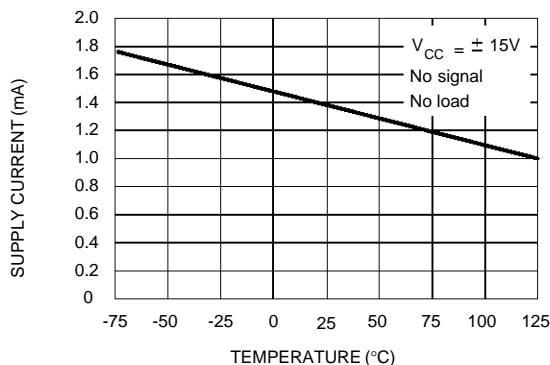
33001-13.EPS

**TOTAL POWER DISSIPATION VERSUS FREE AIR TEMPERATURE**



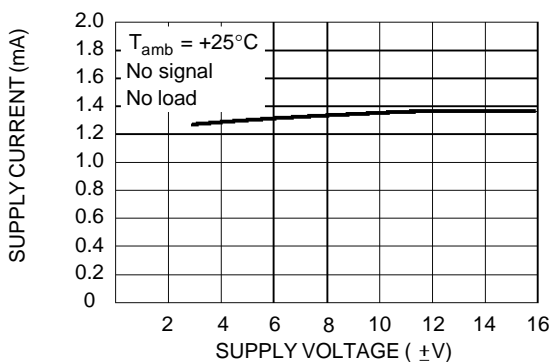
33001-14.EPS

**SUPPLY CURRENT PER AMPLIFIER VERSUS FREE AIR TEMPERATURE**



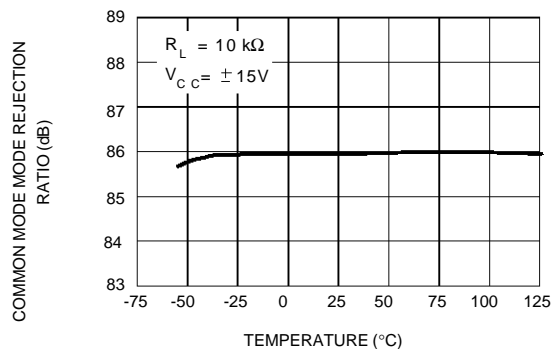
33001-15.EPS

**SUPPLY CURRENT PER AMPLIFIER VERSUS SUPPLY VOLTAGE**



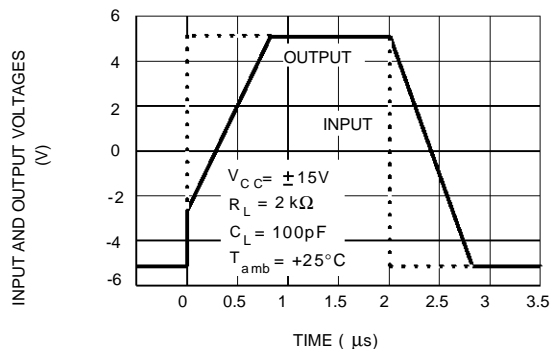
33001-16.EPS

**COMMON MODE REJECTION RATIO  
VERSUS FREE AIR TEMPERATURE**



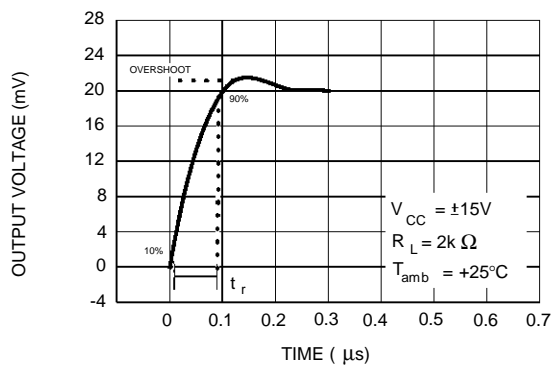
33001-17.EPS

**VOLTAGE FOLLOWER LARGE SIGNAL  
PULSE RESPONSE**



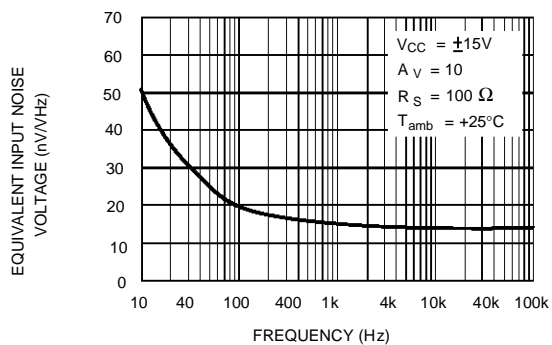
33001-18.EPS

**OUTPUT VOLTAGE VERSUS  
ELAPSED TIME**



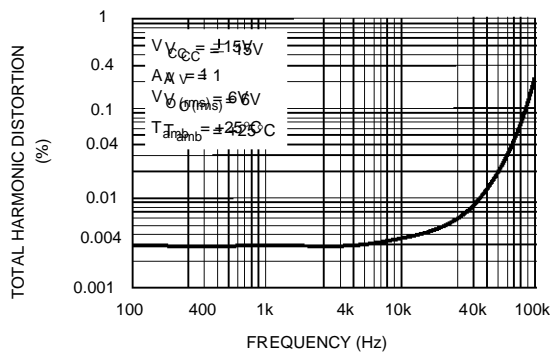
33001-19.EPS

**EQUIVALENT INPUT NOISE VOLTAGE  
VERSUS FREQUENCY**



33001-20.EPS

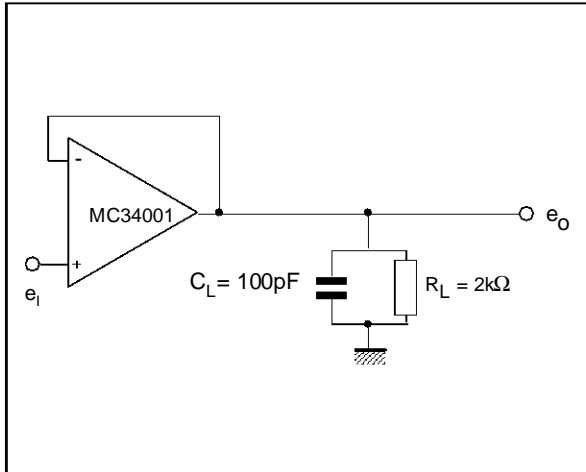
**TOTAL HARMONIC DISTORTION VERSUS  
FREQUENCY**



33001-21.EPS

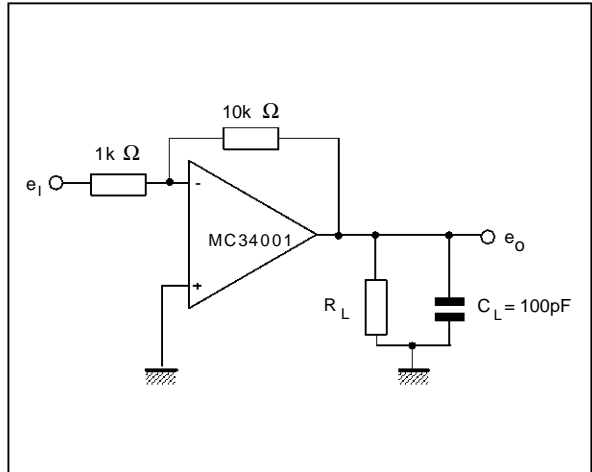
PARAMETER MEASUREMENT INFORMATION

Figure 1 : Voltage Follower



33001-22.EPS

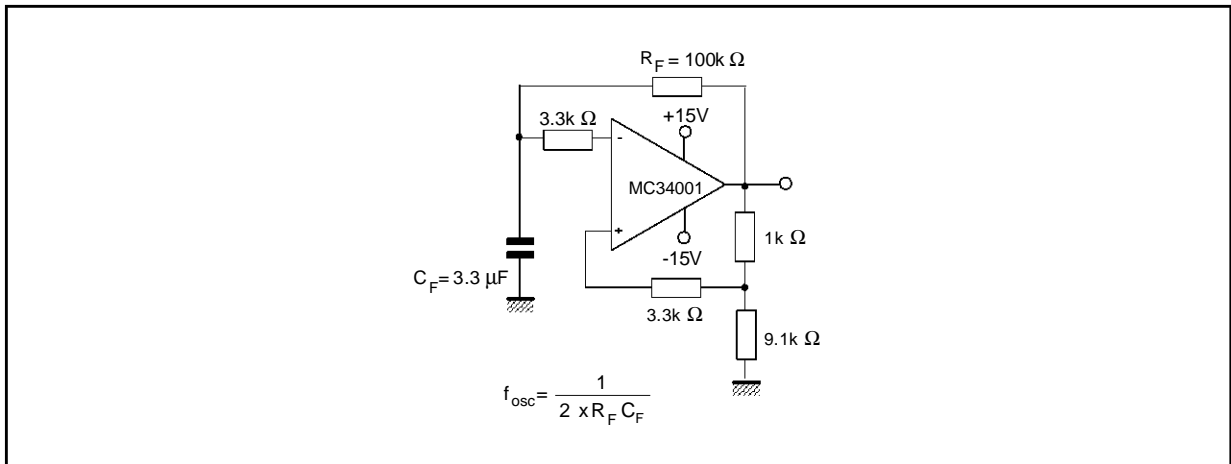
Figure 2 : Gain-of-10 Inverting Amplifier



33001-23.EPS

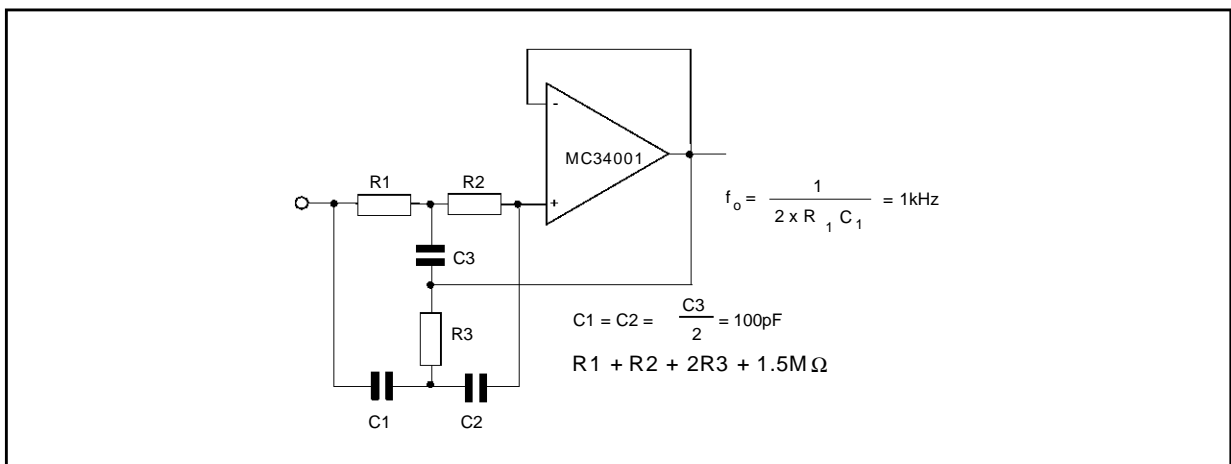
TYPICAL APPLICATIONS

(0.5Hz) SQUARE WAVE OSCILLATOR



33001-24.EPS

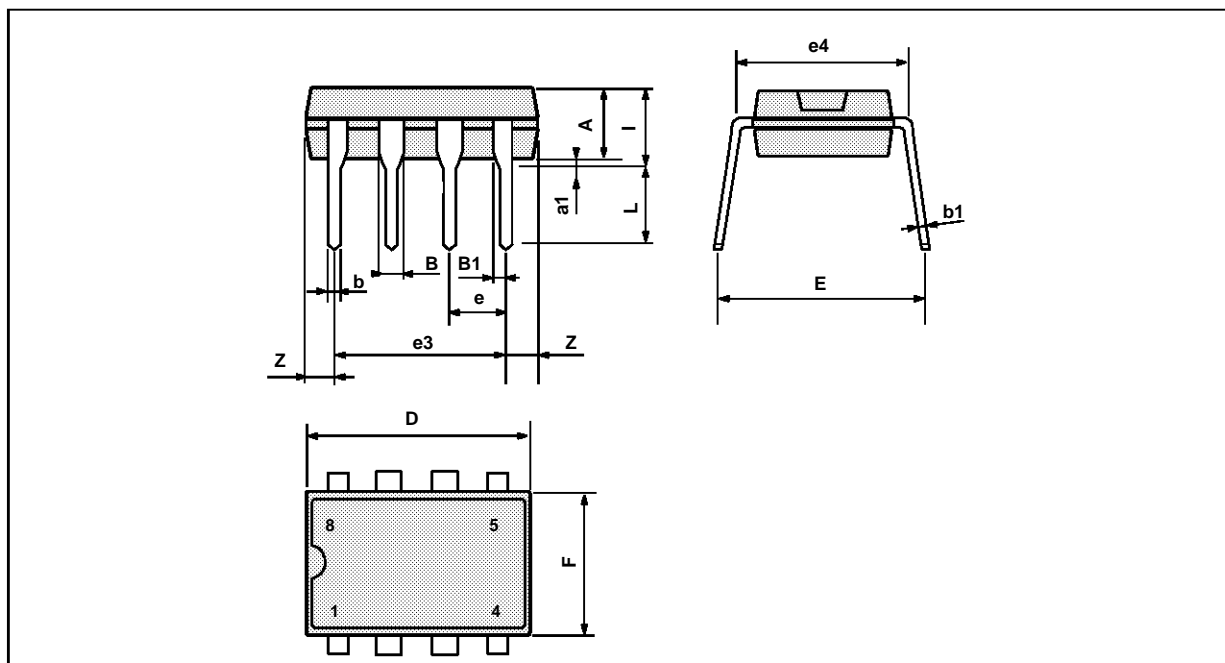
HIGH Q NOTCH FILTER



33001-25.EPS

MC33001/A/B - MC34001/A/B - MC35001/A/B

PACKAGE MECHANICAL DATA  
8 PINS - PLASTIC DIP



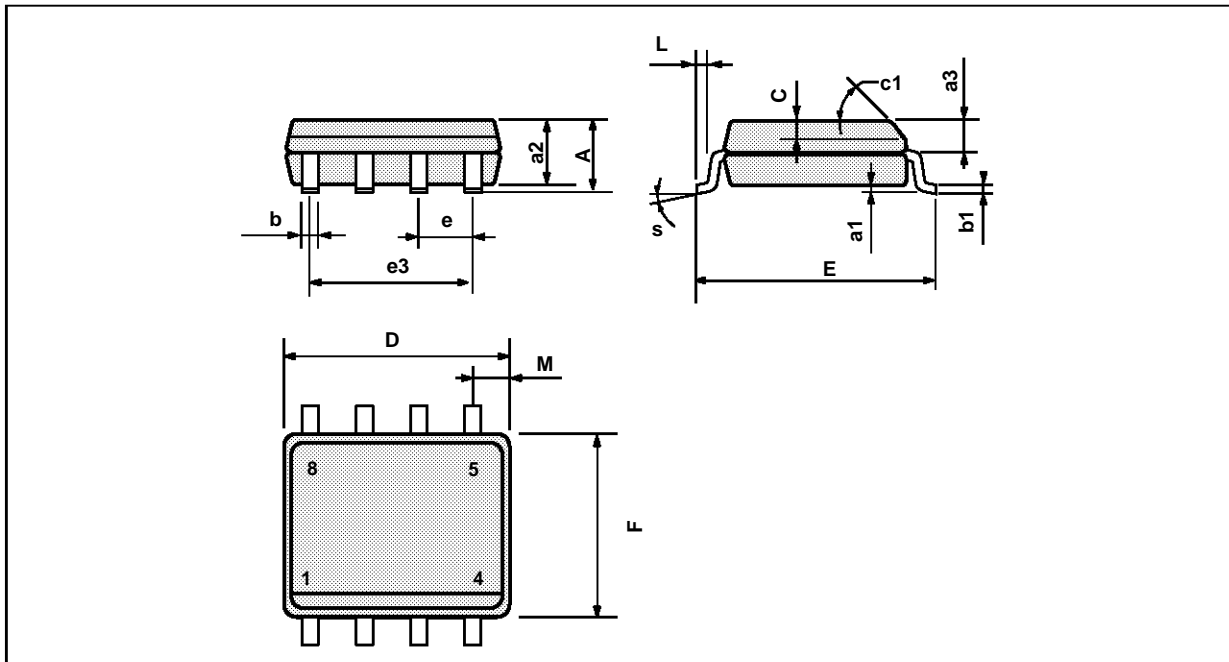
PM-DIP8.EPS

Dimensions	Millimeters			Inches		
	Min.	Typ.	Max.	Min.	Typ.	Max.
A		3.32			0.131	
a1	0.51			0.020		
B	1.15		1.65	0.045		0.065
b	0.356		0.55	0.014		0.022
b1	0.204		0.304	0.008		0.012
D			10.92			0.430
E	7.95		9.75	0.313		0.384
e		2.54			0.100	
e3		7.62			0.300	
e4		7.62			0.300	
F			6.6			0.260
i			5.08			0.200
L	3.18		3.81	0.125		0.150
Z			1.52			0.060

DIP8.TBL



**PACKAGE MECHANICAL DATA**  
8 PINS - PLASTIC MICROPACKAGE (SO)



PM-SO8-EPS

Dimensions	Millimeters			Inches		
	Min.	Typ.	Max.	Min.	Typ.	Max.
A			1.75			0.069
a1	0.1		0.25	0.004		0.010
a2			1.65			0.065
a3	0.65		0.85	0.026		0.033
b	0.35		0.48	0.014		0.019
b1	0.19		0.25	0.007		0.010
C	0.25		0.5	0.010		0.020
c1	45° (typ.)					
D	4.8		5.0	0.189		0.197
E	5.8		6.2	0.228		0.244
e		1.27			0.050	
e3		3.81			0.150	
F	3.8		4.0	0.150		0.157
L	0.4		1.27	0.016		0.050
M			0.6			0.024
S	8° (max.)					

SO8-TBL

Information furnished is believed to be accurate and reliable. However, SGS-THOMSON Microelectronics assumes no responsibility for the consequences of use of such information nor for any infringement of patents or other rights of third parties which may result from its use. No licence is granted by implication or otherwise under any patent or patent rights of SGS-THOMSON Microelectronics. Specifications mentioned in this publication are subject to change without notice. This publication supersedes and replaces all information previously supplied. SGS-THOMSON Microelectronics products are not authorized for use as critical components in life support devices or systems without express written approval of SGS-THOMSON Microelectronics.

© 1994 SGS-THOMSON Microelectronics - All Rights Reserved

SGS-THOMSON Microelectronics GROUP OF COMPANIES

Australia - Brazil - France - Germany - Hong Kong - Italy - Japan - Korea - Malaysia - Malta - Morocco - The Netherlands  
Singapore - Spain - Sweden - Switzerland - Taiwan - Thailand - United Kingdom - U.S.A.

ORDER CODE :